

VIGIRO® SV26 – CRSV91200T : Ue 10...36V DC - CONECTOR M12 – NOT ATEX

USE

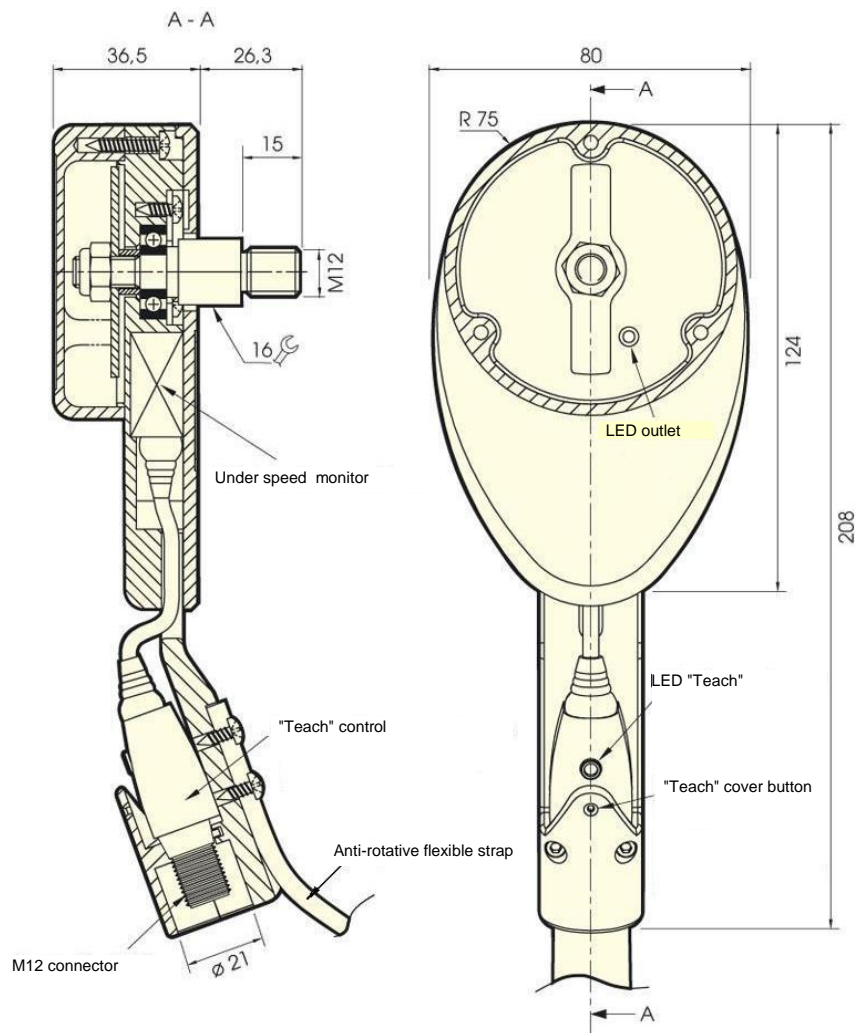
- The VIGIRO® SV26 was engineered in order to control the constant speed of a rotative shaft to detect any fault in the case of a dangerous under speed. The VIGIRO® SV26 includes indeed in its deck a preset under speed monitor for levels from – 33%/-20%/-6% under speed. It is frequently installed on buckets' elevators, chain conveyors, mixers, locks, etc.
 - The VIGIRO® SV26 will be directly fitted to shaft with M12 screws for the standard fabrication and with M10 screws on request.
- An optional magnetic fitting on shaft is also available which enables a very quick bring into service and avoids tapping.

DESCRIPTION

- The VIGIRO® SV26 is a system made of the following elements :
 - Protection skin in polycarbonate
 - Under speed monitor with its « teach » control and its M12 connector
 - M12 thread rotative axle in standard fabrication (M10 optional) for the fitting to shaft
 - Under speed belt
 - Metallic propeller with two pales under transparent hood.
 - M12 connector

Possible adjustment of the VIGIRO® SV26

- The CRSV26 is meant to be preset for under speed levels from 33%/-11%/-6%
- Rotative frequency to be respected 3...500 rounds/min i.e. 6....1000 impuls/min

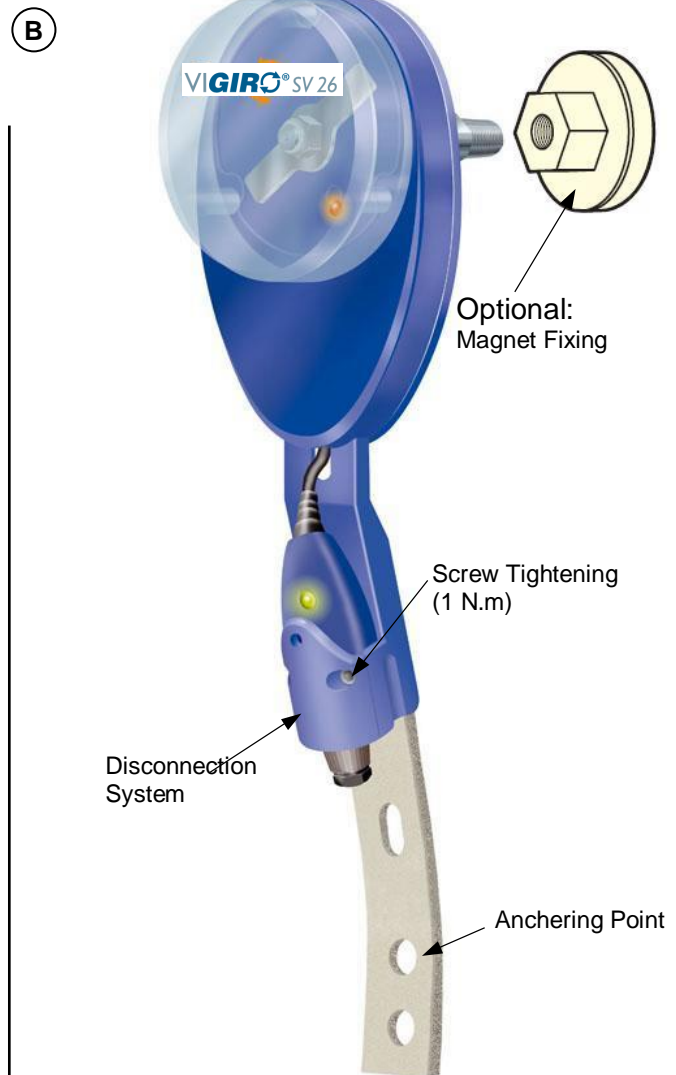
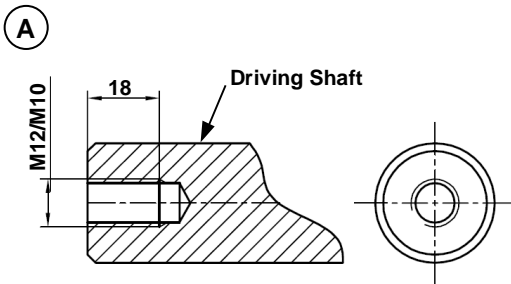


SAFETY INSTRUCTIONS

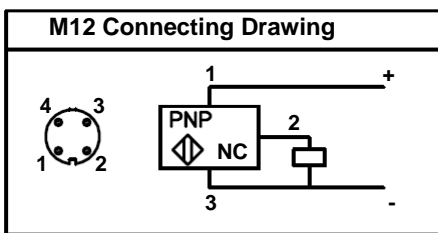
- The VIGIRO® SV26 must be installed, connected and brought into service by qualified staff. The staff has to know the protection groups, the rules and arrangements in industrial area.
- First of all, you have to define the under speed level to be preset (-33%/-20%/-11%/-6%).
- Before bringing into service the VIGIRO® SV26 or before any intervention on it, the elevator must be stopped.
- The user is in charge of the throwing out of the VIGIRO® SV26. Its components according their nature (polycarbonate, EPDM rubber, steel, etc) have to be discarded in the corresponding sorting centres.

INSTALLATION

- Following the A drawing, drill the centre of the shaft to make a M12 or M10 tapping (depending on the ordered fabrication). Tapping has to be of 18mm deep at least (pay a lot of attention to the centring of the tapping to avoid the VIGIRO® SV26 's eccentricity).
- Coat the tapping with a kind of glue, screw the VIGIRO® SV26 axle on the system's shaft with an open end wrench of 16mm.
- Fix without any stress the antirotative belt on a reliable anchoring point
- Remove the anti disconnection system, following the drawing C, connect the VIGIRO® SV26 with the M12 connector.
- Preset the under speed level (for instance -20%), and put again the anti disconnection system by tightening both bolts CHC (tightening torque of 1N/m) (refer to the B drawing).



C



- M12 connecting drawing
- Supplying voltage : 12...24V DC
- Voltage's limits (including ondulation) – 10...36V DC
- Protection - IP67

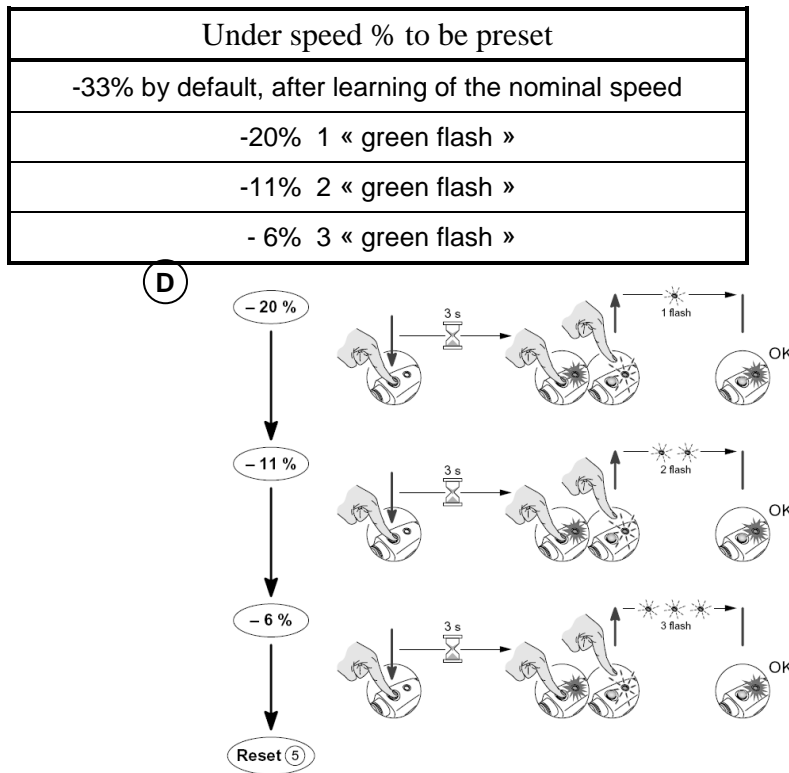
PRESET

- Before beginning with the programmation, the system has to be running.
- Once switched on, the VIGIRO® SV26 does not make any control regarding under speed during 9 seconds in order to enable the system to reach its nominal speed.

Once the speed has stabilized, you have to press the button and to keep the button pressed to make the green led switch off, then about three seconds later, it will switch on again, release the button, the green led flashes slowly, then switches again which means that it tought its nominal speed (by default under speed at -33%) example : nominal speed 180 rounds/ min, the outled will be deactivated when the system's speed is inferior to 120 rounds/min.

- Once the nominal speed has been tought, it is possible to refine the under speed level according the under mentionned table. In that case, press the button and keep it pressed which makes the green led witch off, then, 3 seconds later, it switches on again, then you have to release the button, the green led once flashes which indicates that the under speed level has been set by -20% (refer to the D drawing).
- As far as the - 6% and -11% programmes are concerned, instructions are the same as for the -20% level.

To preset a new under speed level or a new rotative speed, you will have to follow up again all the above mentioned steps and have to begin first of all by a reset



Reset (5)

- Press and keep pressed the button pressed, the green led will switch off, then about three seconds later it switches on during four seconds. Once the green led has switched off again, release the button. The detector is, from now on, without any preset programm.

