



Automatic Blast Gates EB-ABG

PRODUCT CODE: 55101

APPLICATIONS

EcoBOSS® 100% Positive Seal Pneumatic Blast Gates are an essential energy saving component for all dust collection and air handling systems.

DIMENSIONS

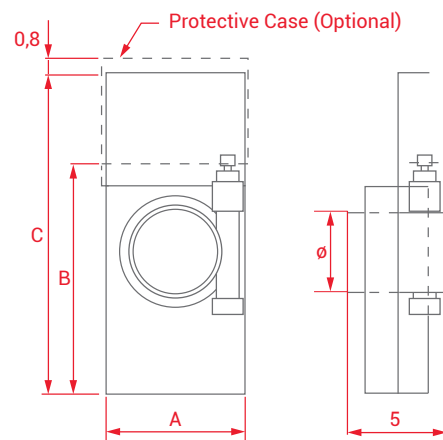
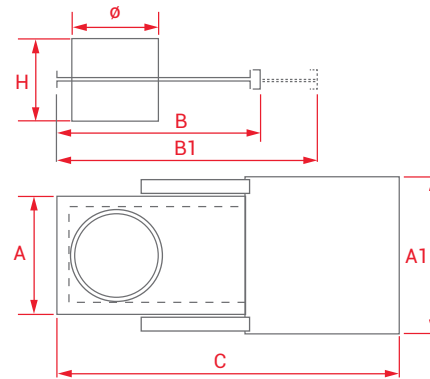
HEAVY DUTY AUTOMATIC BLAST GATES * EB-ABG00HD Size 14" - 32"							
∅	A	A1	B	B1	H	C	# of Cylinders
14"	18	24	31	44	11	47	2
16"	20	25	31	46	11	49	2
18"	22	27	35	52	11	55	2
20"	24	30	35	54	11	57	2
22"	26	32	39	60	11	65	2
24"	28	34	39	62	11	65	2
26"	30	36	43	68	11	71	2
28"	32	38	43	70	11	73	2
30"	34	41	47	76	11	79	2
32"	36	43	47	78	11	81	2

* Units in inches rounded to the closest whole number

AUTOMATIC BLAST GATES EB-ABG00 Sizes 4" - 12" *				
∅	A	B	C	# of Cylinders
4"	7	11	16	1
5"	8	13	18	1
6"	9	15	21	1
8"	11	19	28	2
10"	13	23	33	2
12"	15	27	39	2

* Units in inches rounded to the closest whole number

AUTOMATIC BLAST GATES EB-ABG00 Sizes 4" - 12"



STANDARD FEATURES

- Heavy duty galvanized steel construction
- 24 VDC, 24 VAC or 110 VAC solenoid with LED indicator light
- Sizes 4" – 12" come standard with 90° flared ends for use with optional quick connection clamps and adapters
- Sizes 14" – 32" HD Gates come standard with flanged ends and co-flanges
- Polyethylene gasket for 100 % positive seal on sizes 4"– 12". Larger HD Gates utilize brass for ease of movement and feature rubber and felt gasket. All HD Gates are self cleaning

OPTIONAL FEATURES

- EB-ABG-PC00 – Protective Case Sizes 4" - 12", standard on all larger HD Gates
- EB-MPK –Transformer panels with plug for use with low voltage sensors on stand-alone applications
- Pneumatic Distribution & Wiring Solutions
- Comprehensive EcoBOSS® Energy Saving Control Systems